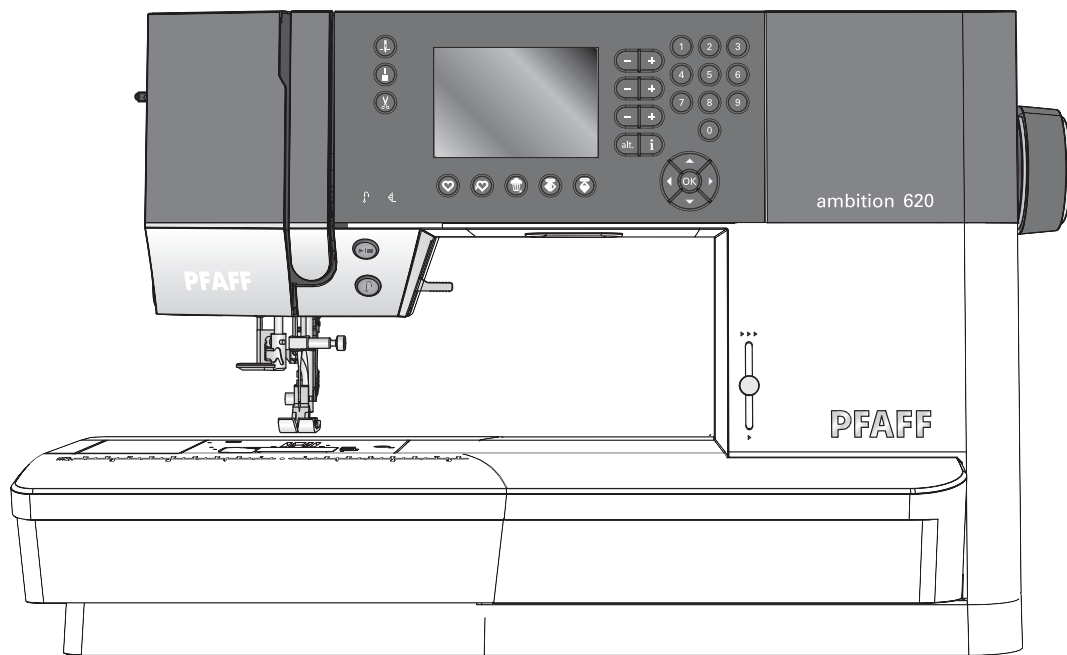


PFAFF®

Ambition 620

Ersatzteile-Listt
List of spare parts
Liste des pièces détachées
Catalogo pezzi staccati
Lista de piezas de repuesto





Please note that on disposal, this product must be safely recycled in accordance with relevant National legislation relating to electrical/electronic products. If in doubt please contact your retailer for guidance.



Bitte beachten Sie, dass hinsichtlich der Entsorgung dieses Produkts, vorschriftsmäßig entsprechend der gültigen nationalen Gesetzgebung für elektrische/elektronische Produkte, recycelt werden muss. Bei Zweifel setzen Sie sich bitte mit Ihrem Fachhändler in Verbindung.



Veuillez noter qu'en cas de destruction, ce produit doit bénéficier d'un recyclage sécurisé, conforme à la législation nationale applicable aux produits électriques/électroniques. En cas de doute, veuillez contacter votre distributeur agréé.

- All casted parts within our products are marked with name of material if allowed by size.
- All molded plastic parts within our products are marked with name of material if allowed by size.

Nicht nummerierte Teile im Katalog werden nicht geliefert.

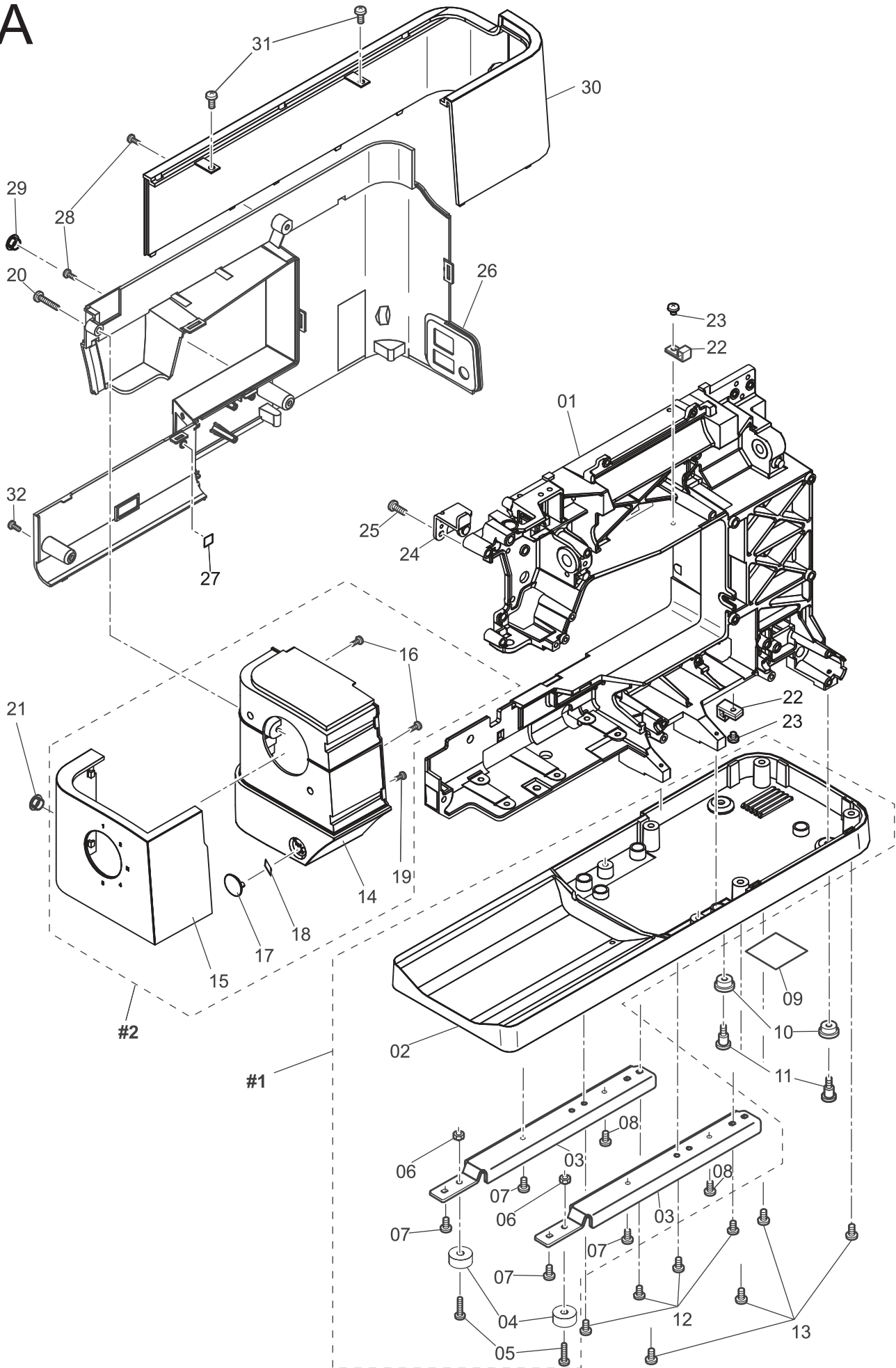
The parts mentioned without number in the parts list are not available.

Les pièces qui ne sont pas numérotées dans la liste de pièces détachées ne peuvent être livrées.

Pezzi non catalogati non sono disponibili.

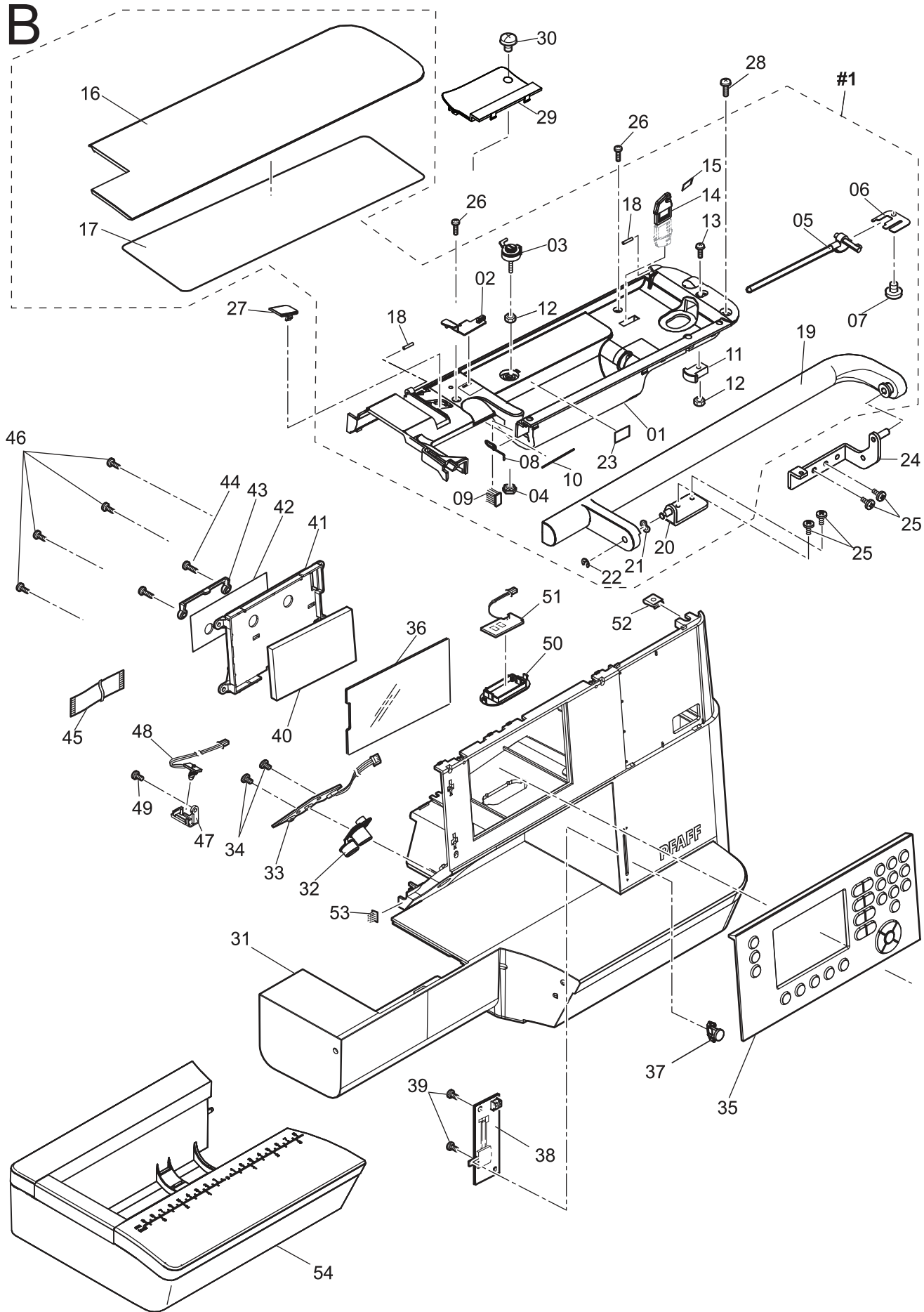
Las piezas de repuesto sin número en esta lista no se entregarán.

A



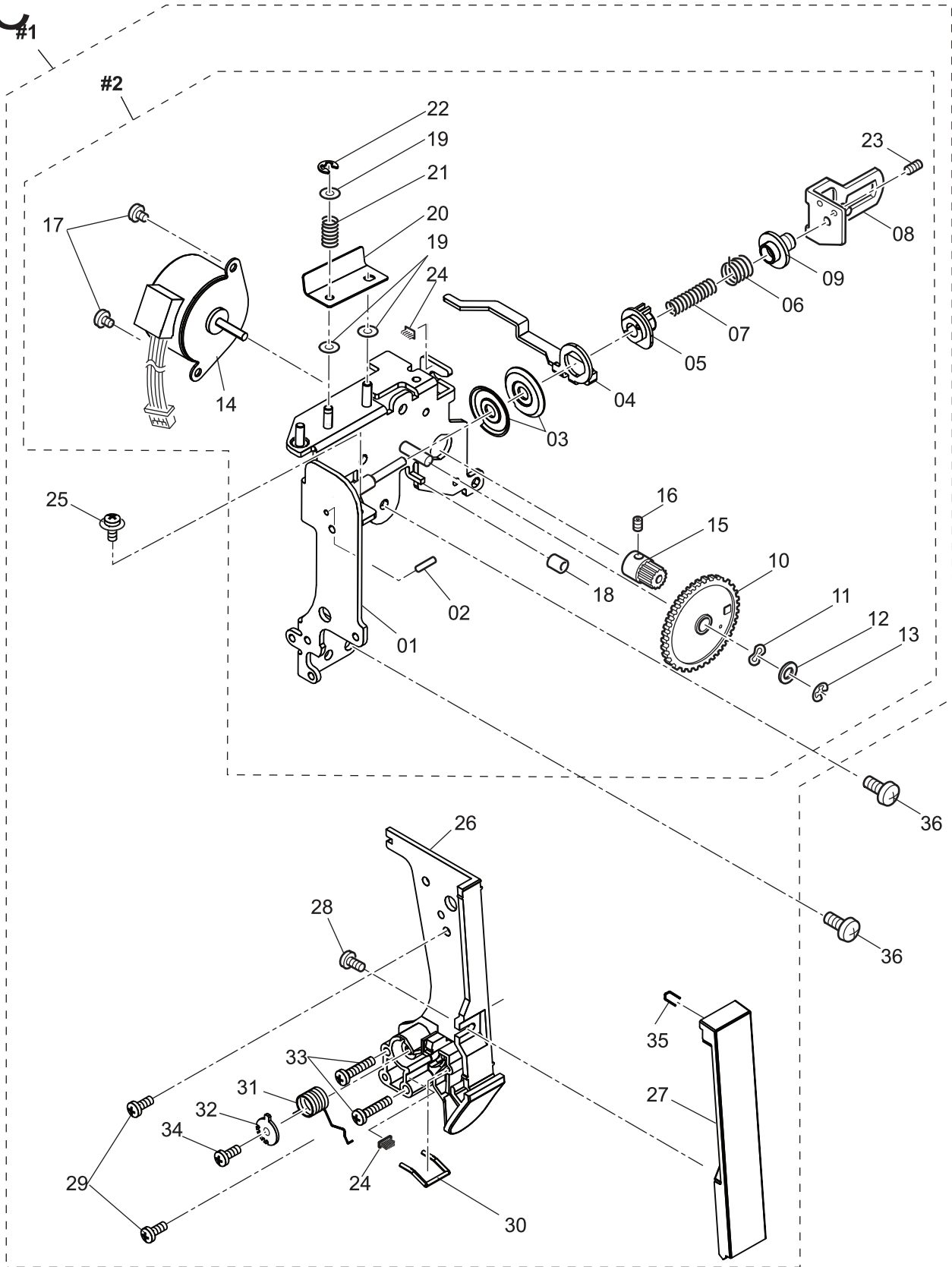
No.	Part No.	Description
#1	68011508	Base Assy.
#2	68011509	Face Plate Assy.
1		Machine Frame
2		Base Cover
3		Base Supporting Plate
4		Rubber Foot (B)
5		Rubber Foot Adjusting Screw
6		Adjustable Lock Nut
7		Set Screw PT M4*8
8		Set Screw M4*8
9		Electrical Rating Label
10		Rubber Foot
11		Set Screw M4*15
12		Set Screw M4*8
13		Set Screw PT M4*10
14		Face Plate
15		Face Plate Panel
16		Set Screw PT M3*6
17	68001208	Thread Cutter Cover
18	412423701	Thread Cutter
19		Set Screw PT M2.6*5
20		Set Screw M4*20
21		Screw Cap
22		Cord Holder
23		Set Screw M4*4
24		Face Plate Holding Plate
25		Set Screw M4*12
26		Rear Cover
27		Rubber Seat
28		Set Screw M4*8
29	68001303	Screw Cap
30	68011510	Front And Rear Cover Panel
31		Set Screw M4*6
32		Set Screw PT M4*12

B

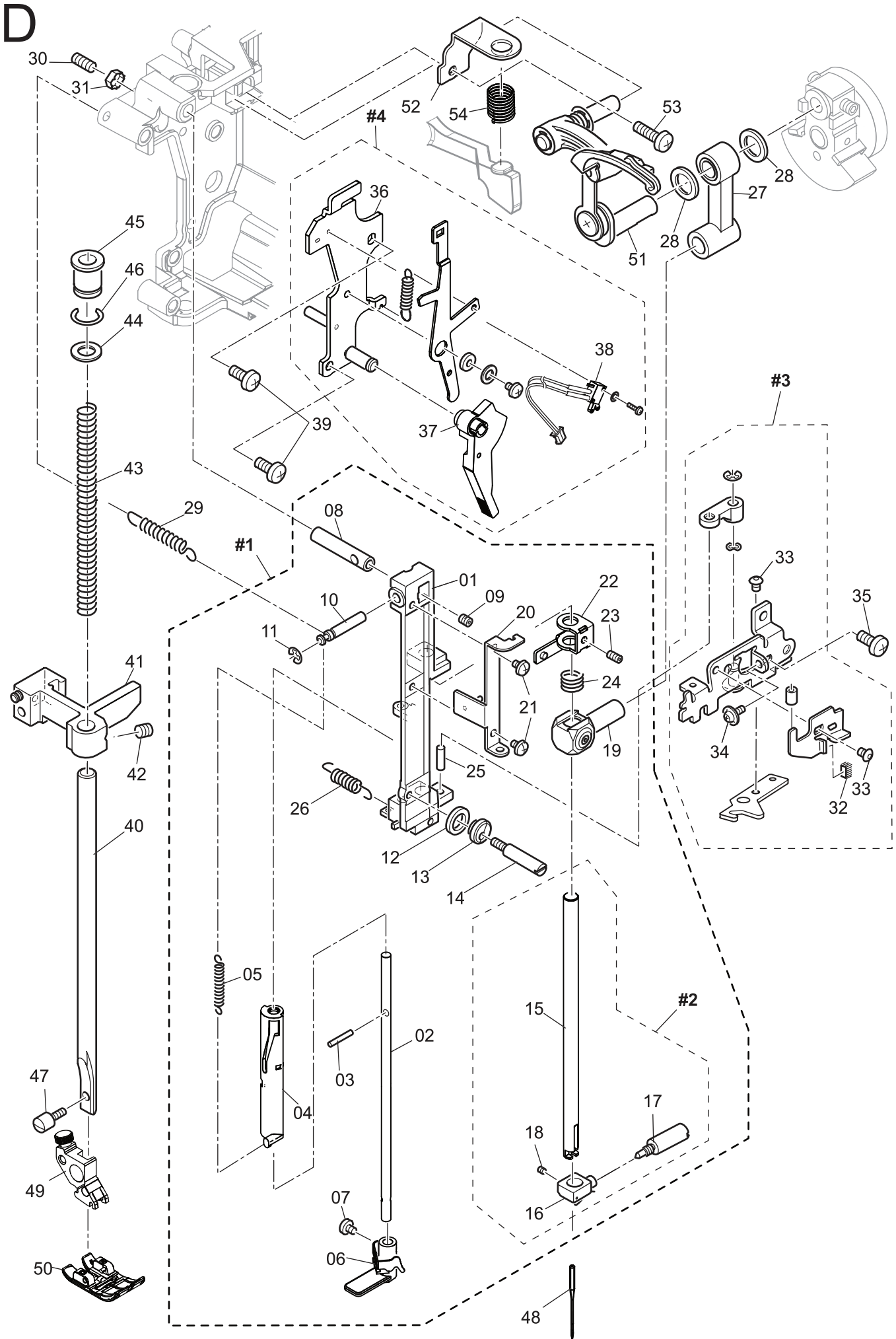


No.	Part No.	Description
#1	68011530	Unit Cover Assy.
1		Unit Cover
2	68001540	Thread Guide
3		Thread Guide Assy.
4		Adjustable Lock Nut
5	68001545	Spool Pin
6		Spool Pin Support Spring
7		Set Screw PT M3*5
8		Thread Guide Wire
9		Brush
10		Bobbin Winder Guide Wire
11		Bobbin Winder Stop
12		Nut
13		Set Screw M3*8
14		Bobbin Winder Thread Cutter Cover
15	412423701	Thread Cutter
16	68001555	Flap
17	68011535	Pattern Chart
18		Pin
19	68011539	Handle
20		Handle Hinge (Left) Assy.
21		Wave Washer
22		Snap Ring
23		Thread Spool Sticker
24		Handle Hinge (Right) Assy.
25		Set Screw M4*8
26		Set Screw M3*10
27		Hinge Cover
28		Set Screw M4*14
29	68001562	Thread Tension Cover
30		Set Screw M3*5
31		Front Cover
32	68001566	Start/Stop Key-top
33	68001567	Switch Board Assy.
34		Set Screw PT M3*6
35		Silicon Rubber Key-top Set
36	68011541	LCD Cover
37	68001570	Speed Key-top
38	68001571	Speed Control Board Assy.
39		Set Screw PT M3*6
40	68011544	LCD
41		LCD Cover
42		Relay Board Assy.
43		Relay Board Assy Holding Collar
44		PT Binding Screw M3*10
45	68001574	Relay Board FFC
46		PT Binding Screw M3*8
47		LED Light Cover (D)
48	68011546	LED Board Assy.(A)
49		Set Screw PT M3*6
50	68001577	LED Light Cover (B)
51	68011555	LED Board Assy.(B)
52		Speed Nut
53		Brush
54	68001581	Extension Table

C
#1

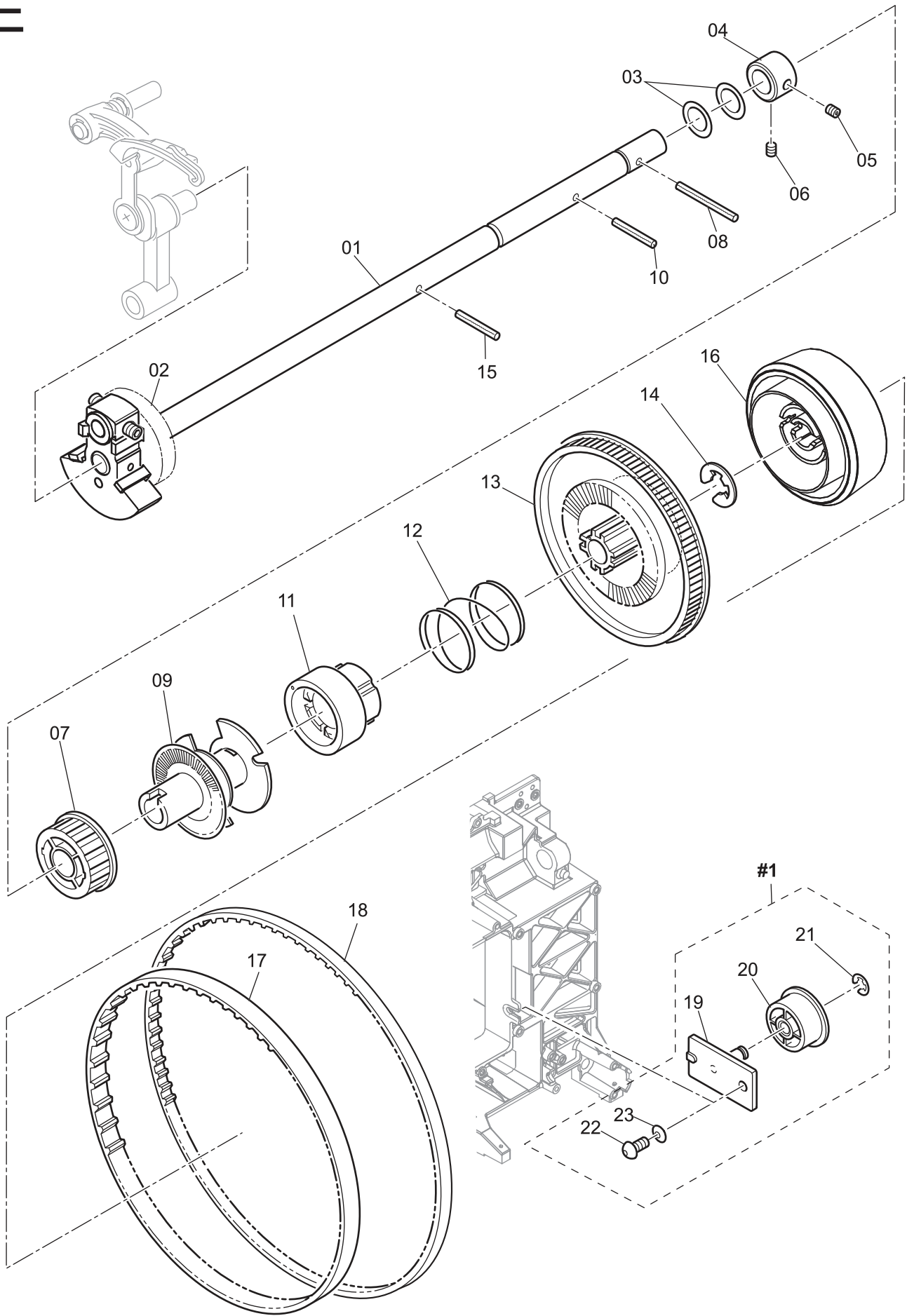


No.	Part No.	Description
#1	68011557	Thread Tension Regulator Unit
#2		Thread Tension Assy.
1		Thread Tension Base Assy.
2		Spring Pin
3	68001586	Thread Tension Disc
4		Thread Tension Releasing Plate
5		Tension Collar
6		Thread Tension Spring
7		Thread Tension Sub-spring
8		Thread Tension Plate Assy.
9		Tension Regulating Screw
10		Thread Tension Cam
11		Wave Washer
12		Washer
13		Snap Ring
14	416395901	Tension Release Pulse Motor
15		Pulse Motor Gear
16		Set Screw M3*3
17		Set Screw M3*3
18		Rubber Cushion
19		Polyslider
20		Pre-Tension Plate
21		Pre-Tension Spring
22		Snap Ring
23		Set Screw M3*6
24		Brush
25		Set Screw M3*6
26		Thread Take-Up Lever Cover
27		Thread Take-Up Lever Cover Panel
28		Set Screw PT M3*6
29		Set Screw M3*5
30		Thread Guide
31	416396101	Thread Check Spring
32		Check Spring Adjust Plate
33		Set Screw M3*14
34		Set Screw PT M3*5
35		Thread Take-Up Lever Spool Wire
36		Set Screw M4*8



No.	Part No.	Description
#1	68001661	Needle Bar Guide Assy.
#2	68001686	Needle Bar Assy.
#3	68001710	Z Link Bracket Unit
#4	68011262	Presser Foot Lifter Bracket Unit
1		-2 Needle Bar Guide
2		Threader Bar
3		Spring Pin
4		Threader Guide
5		Threader Holder Spring
6	68001677	Threader Hook Assy.
7		Threader Hook Screw
8		Needle Bar Guide Fulcrum Shaft (A)
9		Set Screw M4*4
10		Needle Bar Guide Fulcrum Shaft (B)
11		Snap Ring
12		Z Cam Follower
13		Needle Point Adjust Collar
14		Needle Point Limiting Shaft
15		Needle Bar
16	68002629	Needle Clamp Assy.
17	68002630	Needle Clamp Screw
18		Set Screw M2.5*2.5
19		Needle Bar Clamp Assy.
20		Threader Guide Pin Assy.
21		Set Screw M3*5
22		Threader Bar Stopper Assy.
23		Set Screw M3*6
24		Needle Bar Clamp Spring
25		Z Link Shaft
26		Z Guide Spring
27	68001706	Needle Bar Crank Rod Assy.
28		Washer
29		Spring for Needle Bar Guide Assy.
30		Set Screw M4*10
31		Adjustable Lock Nut
32		Brush
33		Set Screw M3*4
34		Set Screw M3*6
35		Set Screw M4*8
36		Presser Foot Lifter Bracket Assy.
37	68001725	Presser Foot Lifter
38	68001730	Presser Foot Switch Assy.
39		Set Screw M4*8
40	68001733	Presser Bar
41	68011265	Presser Bar Guide Bracket Assy.
42		Set Screw M5*5
43		Presser Bar Spring
44		Washer
45	68001737	Presser Bar Bush
46		Snap Ring
47	68002497	Presser Foot Screw
48	620098796	Needle
49	413039201	Presser Foot Holder
50	820773096	Standard Foot
51	68001743	Thread Take-Up Lever Assy.
52		Take-Up Lever Base Pin Plate
53		Set Screw M4*14
54		Dual Feed Up/Down Cam Presser Spring

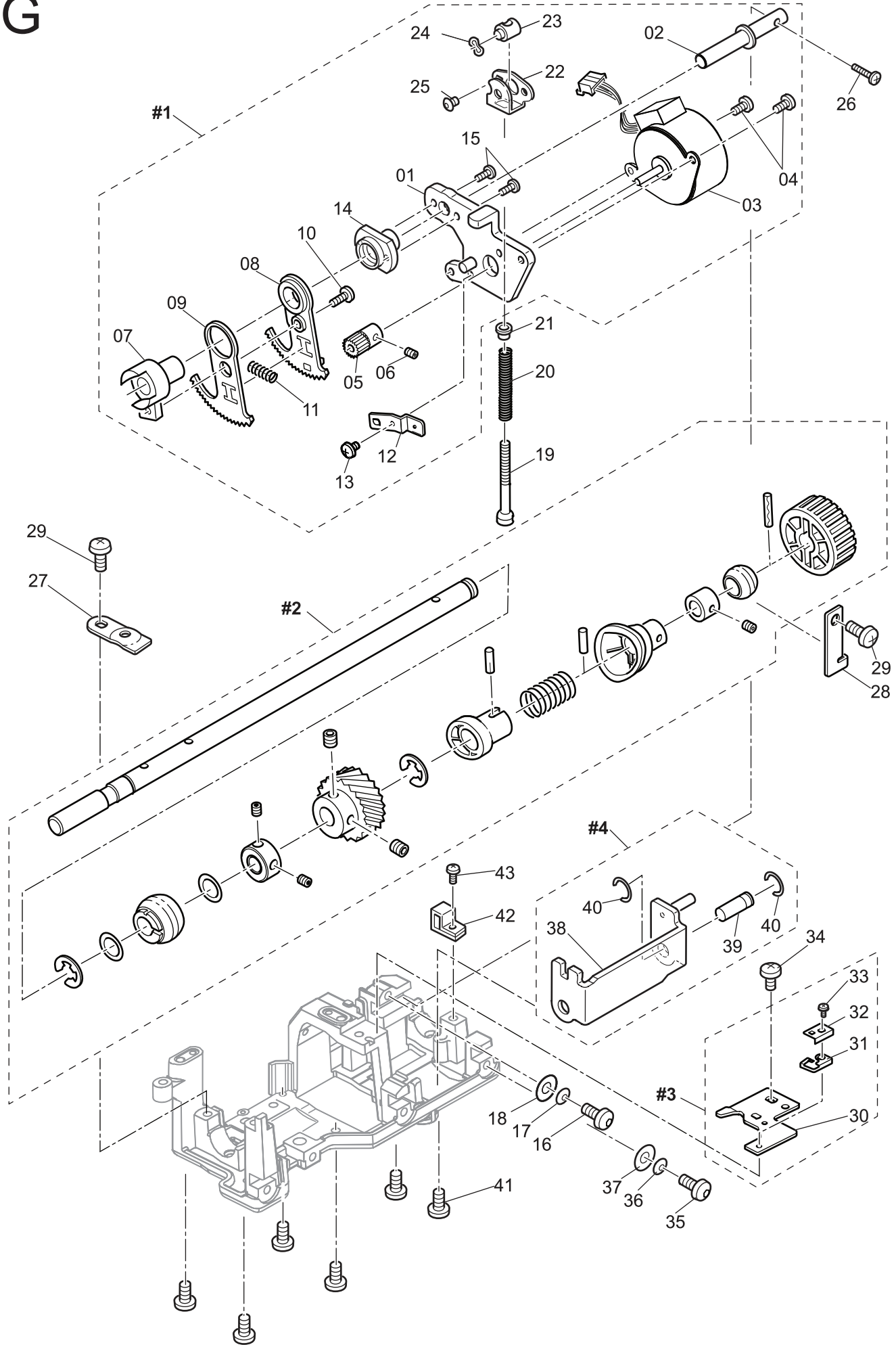
E



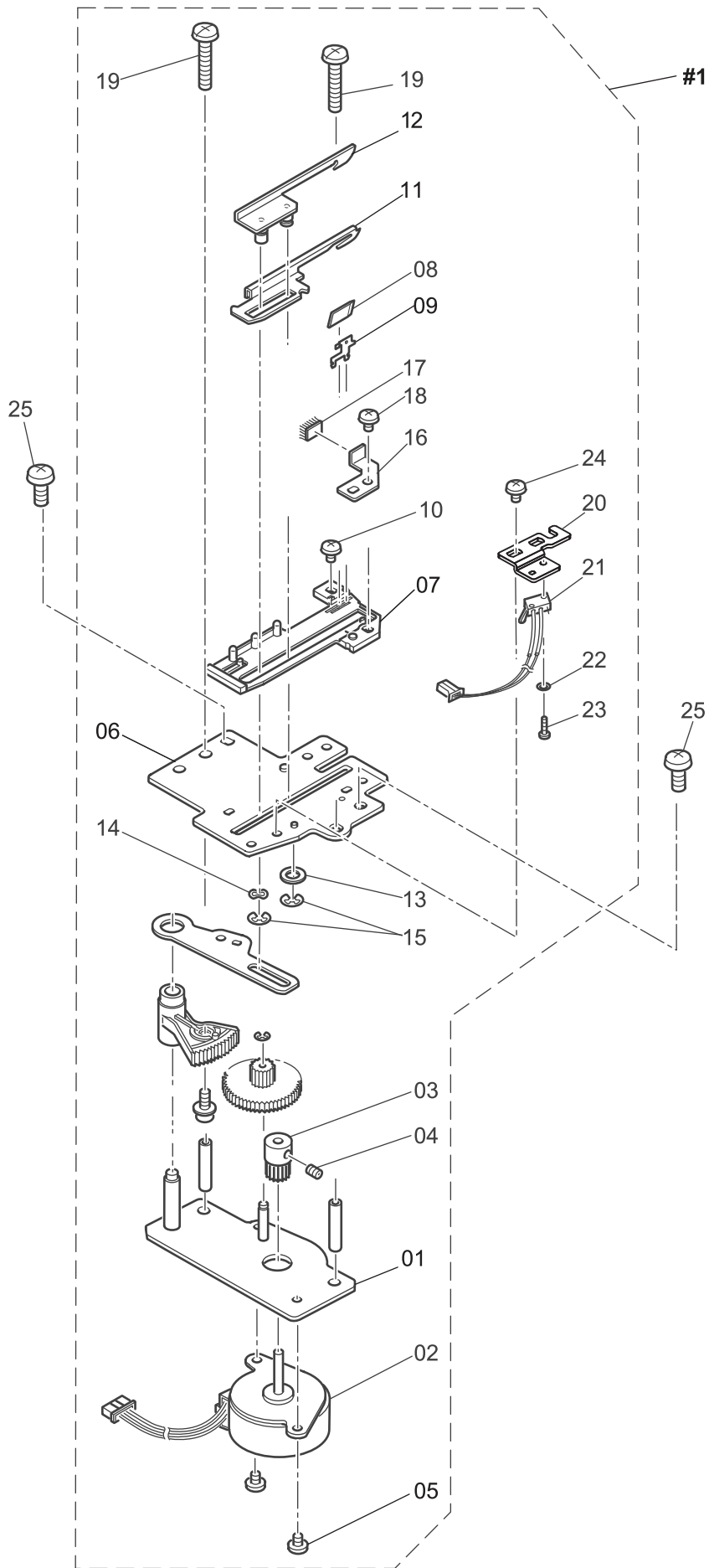
No.	Part No.	Description
#1	68001341	Belt Tension Assy.
1	68000145	Upper Shaft Assy.
2		Dual Feed Up/Down Cam
3		Polyslider
4		Upper Shaft Collar
5		Set Screw M4*4
6		Set Screw M4*4
7		Upper Shaft Timing Pulley
8		Spring Pin
9		STS Slit
10		Spring Pin
11		Clutch Change Collar
12		Clutch Change Spring
13		Belt Wheel
14		Snap Ring
15	416400501	Spring Pin
16	68011559	Hand Wheel
17	416400301	Timing Belt (Upper Shaft)
18	68001340	Timing Belt (Motor)
19		Belt Tension Bracket Assy.
20		Tension Pulley
21		Snap Ring
22		Set Screw M4*8
23		Spring Washer

No.	Part No.	Description		
#1	68001347	Bobbin Winder Assy.		
#2	68011271	Needle Plate Assy.		
#3	68002958	Bobbin Holder Unit		
#4	68001393	Feed Assy.	65	Drop Feed Lever
#5	68001452	Feed Rocking Assy.	66	Drop Feed Lever Link
#6	68001467	Hook Race Unit	67	Snap Ring
1		Bobbin Winder Shaft Spring	68	Threader Holder Spring
2	68001351	Rubber Ring	69	Set Screw
3		Bobbin Winder Switch Bracket	70	Collar
4		Set Screw M2.5*4	71	Set Screw M4*6
5	68001355	Bobbin Winder Switch Assy.	72	Hook Race Assy.
6		Washer	73	Hook Race Shaft
7		Set Screw M2*8	74	Oil Wick (1)
8		Set Screw M4*8	75	Oil Wick (2)
9		Needle Plate	76	Polyslider
10		Thread Guide Plate	77	Polyslider
11		Thread Cutter	78	Wave Washer
12		Slide Lever	79	Magnet
13		Bobbin Cover Plate Holder	80	Set Screw M4*4
14		Set Screw M2*3	81	Dual Feed Lower Shaft Arm Holding Plate
15		Bobbin Holder Stabilize Plate	82	Set Screw M3*3
16		Set Screw M2*2		
17		Set Screw M2*2.8		
18		Push Nut		
19		Rubber Sheet		
20		Rubber Sheet		
21		Set Screw M4*8.5		
22	68011275	Bobbin Cover Plate		
23		Bobbin Holder Assy.		
24		Brush		
25	68001389	Bobbin		
26		Bed Unit Base		
27		Position Pin for Needle Plate		
28		Feed Shaft Guide		
29		Feed Shaft		
30		Polyslider		
31		Snap Ring		
32		Feed Shaft Collar		
33		Set Screw M3*3		
34		Feed Cam Follower		
35		Polyslider		
36		Feed Slide Block Fulcrum Shaft		
37		Set Screw M3*3		
38		Feed Cam Follower Fulcrum Shaft		
39		Set Screw M3*3		
40		Feed Slide Block		
41		Feed Slide Block Spring		
42		Feed Base		
43		Feed Dog		
44		Set Screw M3*5		
45		Set Screw		
46		Adjustable Nut		
47		Feed Rocking Connecting Rod		
48		Feed Base Fulcrum Shaft (Left)		
49		Washer		
50		Feed Base Fulcrum Shaft (Right)		
51		Set Screw M3*3		
52		Feed Rocking Cam Follower Spring		
53		Feed Cam Follower Spring		
54		Button Head Screw M3*4		
55		Set Screw M4*8		
56		Spring Washer		
57		Washer		
58		Feed Rocking Cam Follower Bracket Assy.		
59		Feed Rocking Cam Follower		
60		Feed Rocking Cam Follower Plate		
61		Set Screw PT M3*5		
62		Feed Rocking Cam Follower Shaft		
63		Feed Rocking Cam Follower Spring		
64		Snap Ring		

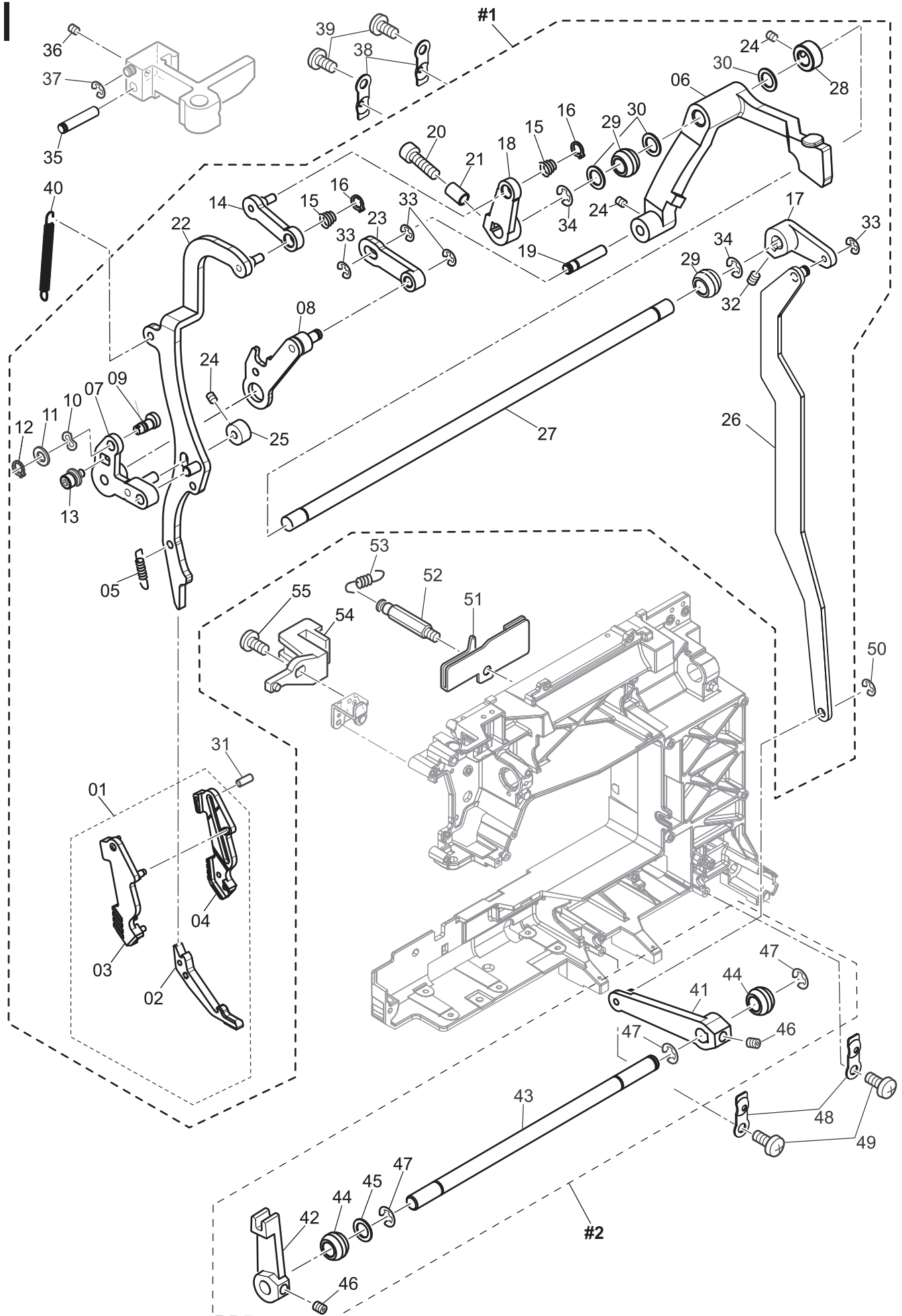
G



No.	Part No.	Description
#1	68001499	F Pulse Motor Assy.
#2	68001527	Lower Shaft Assy.
#3	68001659	Bobbin Holder Stopper Assy.
#4		Dual Feed Lower Shaft Arm Unit
1		F Pulse Motor Bracket Assy.
2		Feed Regulator Shaft
3		F Pulse Motor
4		Set Screw M3*6
5		F Pulse Motor Gear
6		Set Screw M3*3
7		Feed Regulator
8		Feed Regulator Gear (A)
9		Feed Regulator Gear (B)
10		Set Screw M3*8
11		Feed Regulator Gear Spring
12		Pulse Motor Bracket Plate
13		Set Screw M3*3
14		Feed Regulator Holder
15		Set Screw M2.5*6
16		Set Screw M4*8
17		Spring Washer
18		Washer
19		Forward-Reverse Feed Fine Adjustment
20		Forward-Reverse Feed Fine Adjustment
21		Forward-Reverse Feed Fine Adjustment
22		Feed Fine Adjustment Screw Nut Suppo
23		Forward-Reverse Feed Fine Adjustment
24		Wave Washer
25		Set Screw M3*4
26		Set Screw M2.5*10
27		Ball Bushing Holder (Left)
28		Ball Bushing Holder
29		Set Screw M4*8
30		Bobbin Holder Stopper Bracket
31		Bobbin Holder Stopper Spring
32		Bobbin Holder Stopper Spring Cover
33		Set Screw M2*3
34		Set Screw M4*6
35		Set Screw M4*8
36		Spring Washer
37		Washer
38		Dual Feed Lower Shaft Arm Assy.
39		Dual Feed Lower Shaft Arm Fulcrum Sh
40		Snap Ring
41		Set Screw M4*8
42		Cord Holder
43		Set Screw M4*8



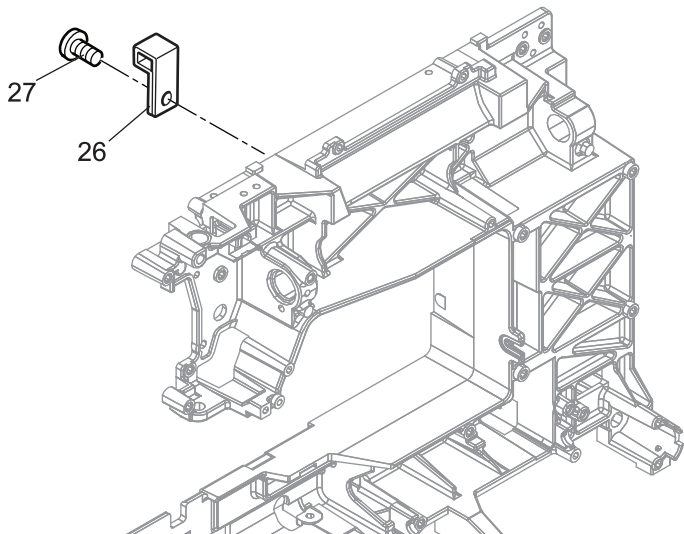
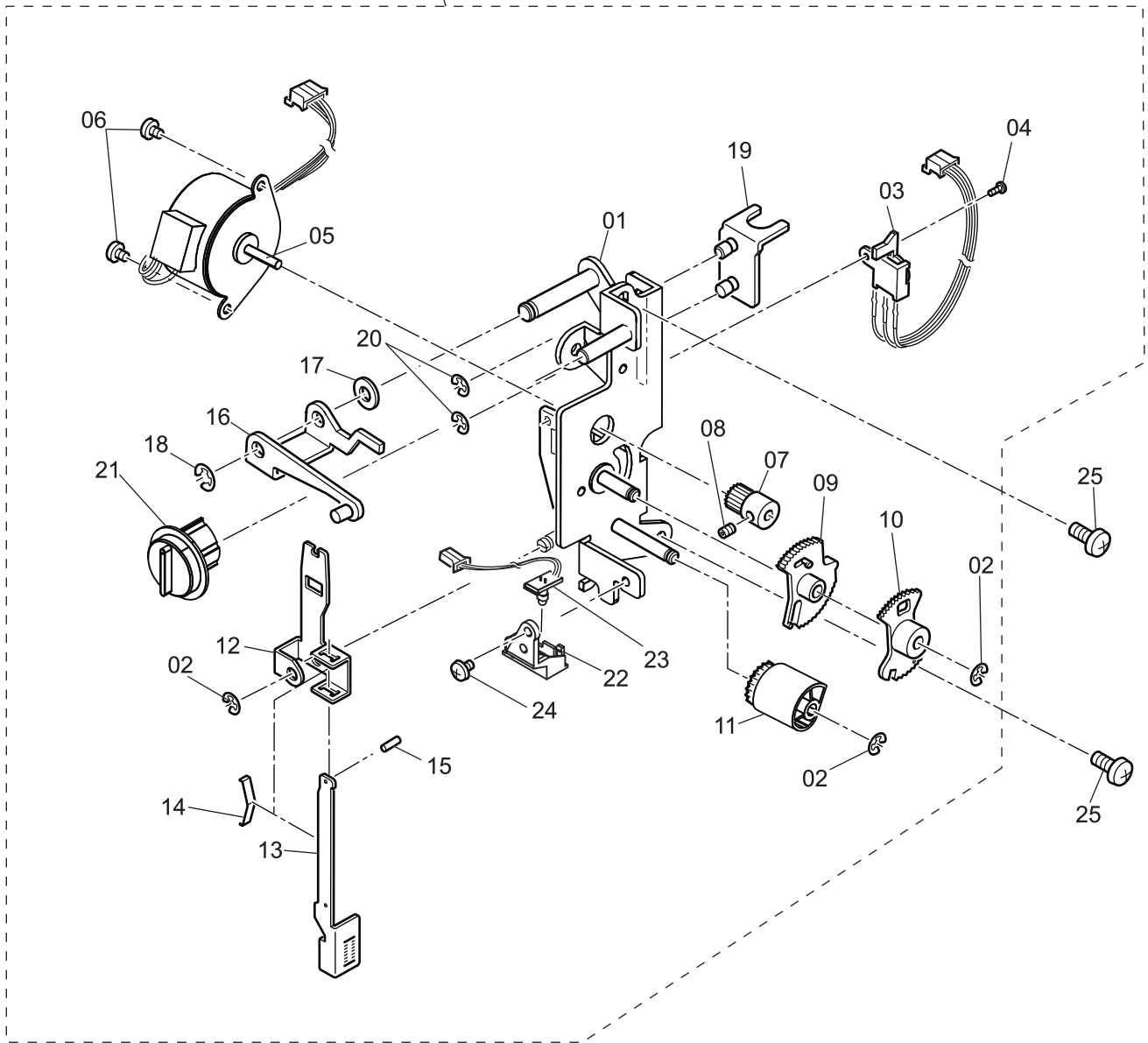
No.	Part No.	Description
#1	68002960	Thread Cutter Assy.
1		Thread Cutter Pulse Motor Bracket Assy.
2		Thread Cutter Pulse Motor
3		Pulse Motor Gear
4		Set Screw M3*3
5		Set Screw M3*3
6		Thread Cutter Bracket
7		Thread Cutter Holding Base
8	412423701	Thread Cutter
9	68005912	Thread Divider
10		Set Screw M3*5
11	68001386	Thread Catcher A
12	68005910	Thread Catcher B Assy.
13		Washer
14		Wave Washer
15		Snap Ring
16		Thread Holding Bracket
17		Brush
18		Set Screw M3*5
19		Set Screw M4*22
20		Thread Cutter Switch Bracket
21	68001411	Thread Cutter Switch Assy.
22		Washer
23		Set Screw M1.7*6
24		Set Screw M3*3
25		Set Screw M4*8



No.	Part No.	Description
#1	68011276	Dual Feed Unit Assy.
#2	68011277	Dual Feed Lower Shaft Assy.
1	68011285	Dual Feed Dog Assy.
2		Dual Feed Dog
3		Dual Feed Dog Holder (Left)
4		Dual Feed Dog Holder (Right)
5	68002635	Dual Feed Dog Spring
6		Dual Feed Up/Down Cam Lever
7		Dual Feed Up/Down Cam Lever Assy.
8		Dual Feed Up/Down Adjusting Plate Assy.
9		Dual Feed Height Adjusting Pin
10		Wave Washer
11		Washer
12		C-type Retaining Ring
13		Set Screw
14		Dual Feed Leg Front/Rear Link Assy.
15		Spring
16		Snap Ring
17		Dual Feed Leg Front/Rear Lever
18		Dual Feed Leg Front/Rear Lever (Left)
19		Dual Feed Up/Down Cam Lever Shaft
20		Set Screw M4*14
21		Spacer
22		Dual Feed Leg Assy.
23		Dual Feed Up/Down Link Assy.
24		Set Screw M3*3
25		Collar
26		Dual Feed Up/Down Shaft Link Assy.
27		Dual Feed Upper Shaft
28		Feed Shaft Collar
29		Ball Bushing
30		Polyslider
31		Straight Pin
32		Set Screw M4*4
33		Snap Ring
34		Snap Ring
35		Dual Feed Up/Down Cam Lever Shaft
36		Set Screw M3*3
37		Snap Ring
38		Dual Feed Ball Bushing Holder
39		Set Screw M4*8
40		Dual Feed Cloth Presser Spring
41		Dual Feed Lower Shaft Lever Assy.
42		Dual Feed Link Lever
43		Dual Feed Lower Shaft
44		Ball Bushing
45		Polyslider
46		Set Screw M4*4
47		Snap Ring
48		Dual Feed Ball Bushing Holder
49		Set Screw M4*8
50		Snap Ring
51		Cable Clamp
52		Stud
53		Dual Feed Leg Front/Rear Lever Spring
54		Dual Feed Leg
55		Set Screw M4*8

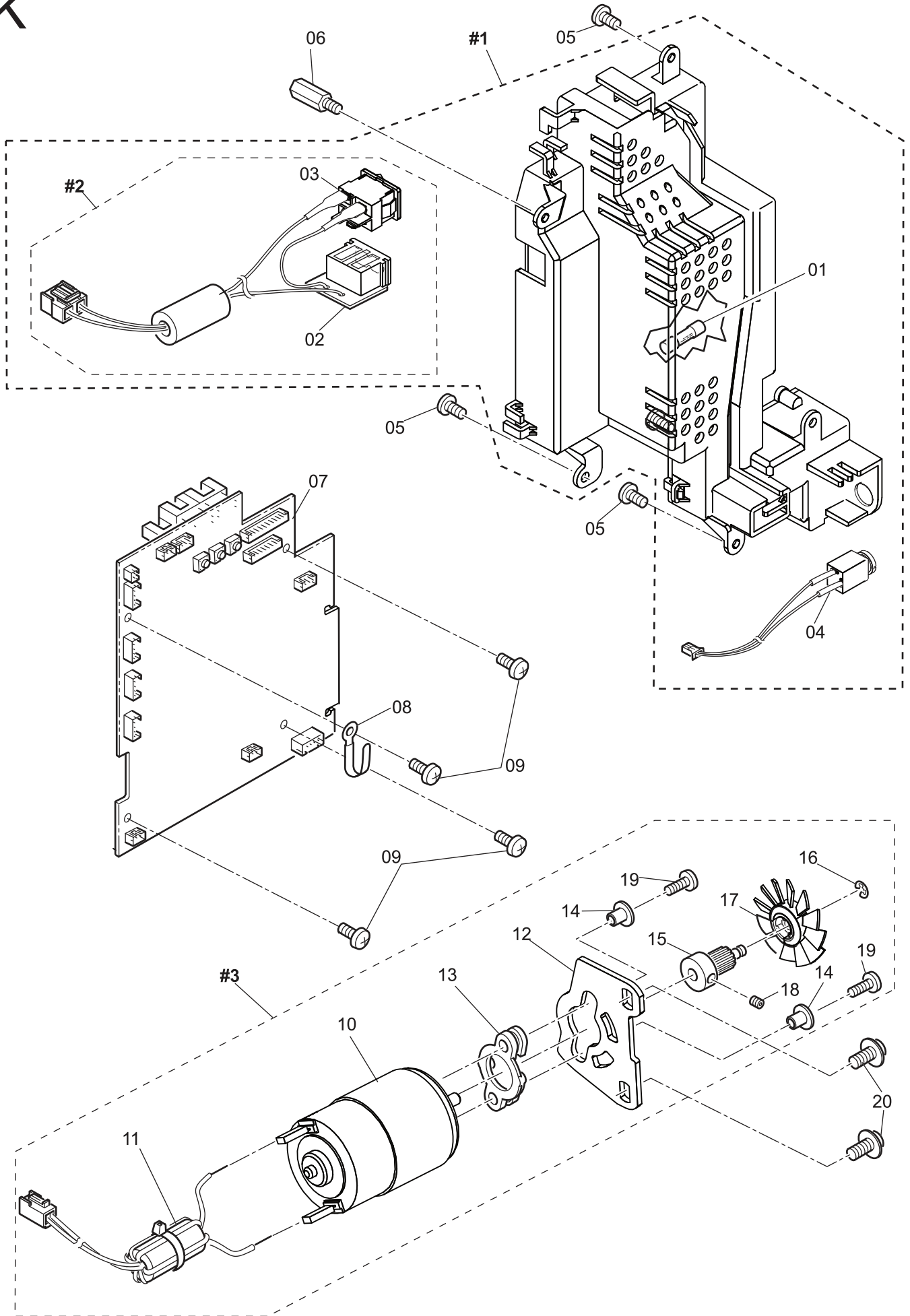
J

#1

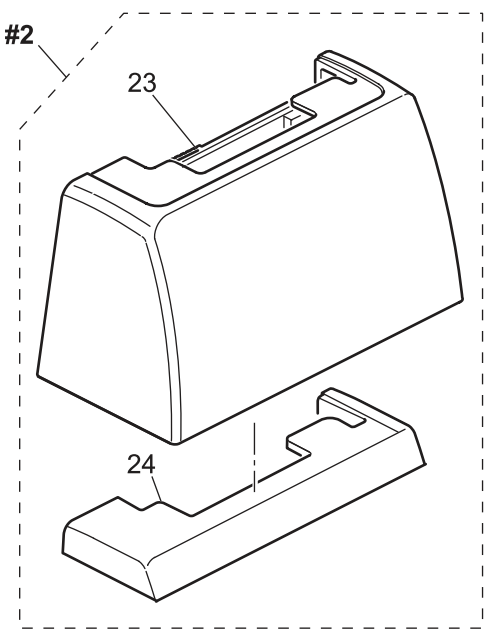
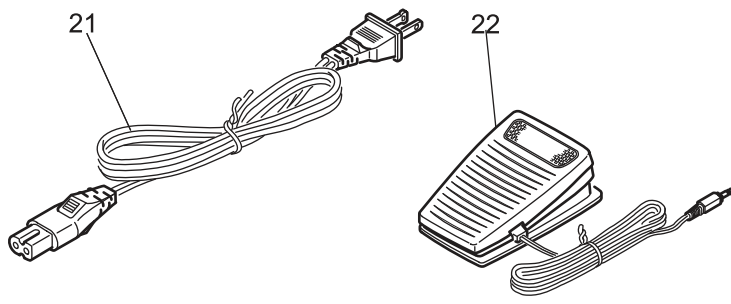
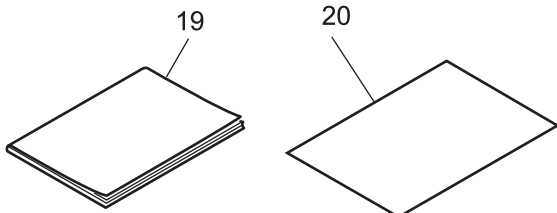
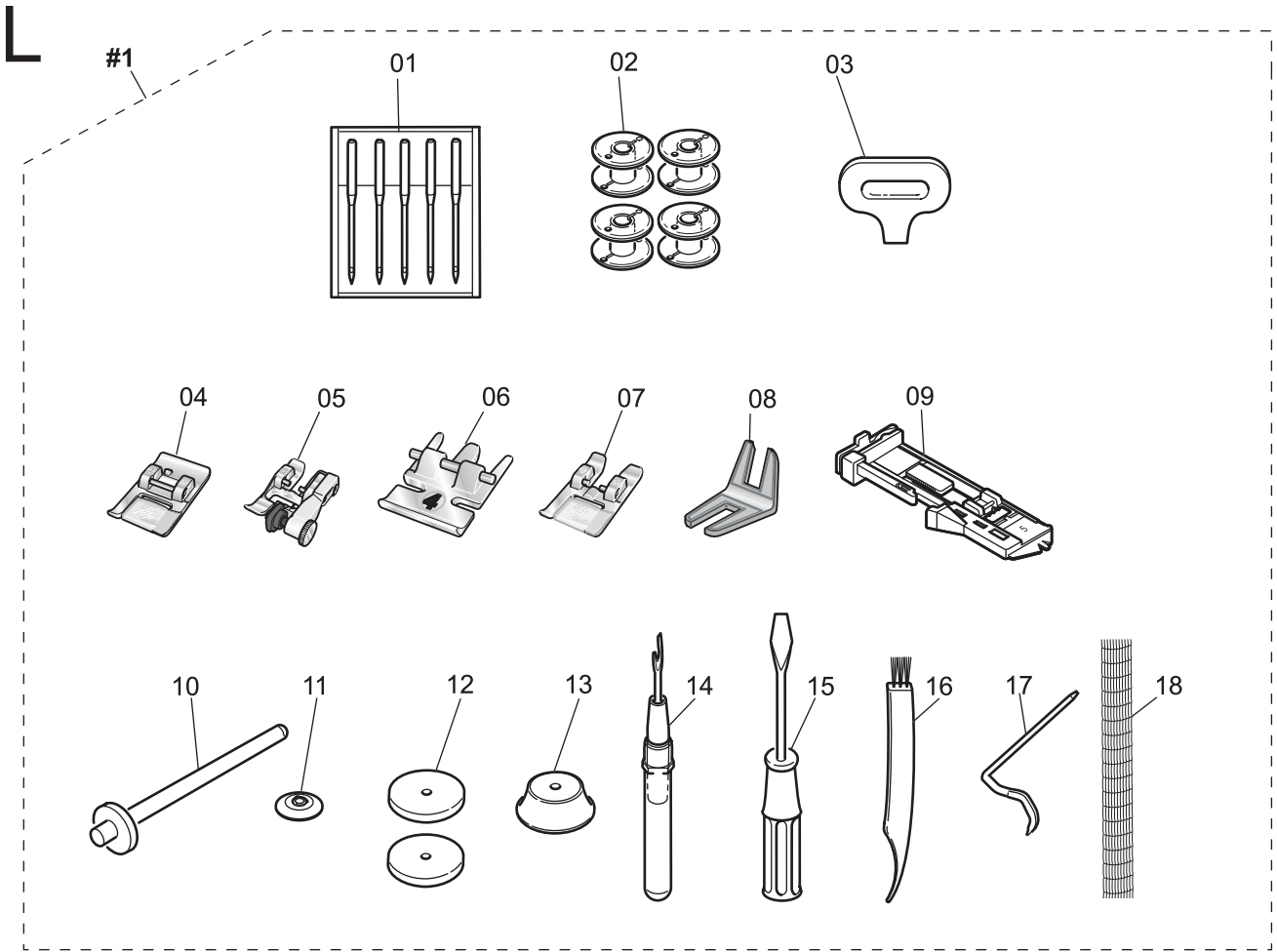


No.	Part No.	Description
#1	68011560	Z Pulse Motor Assy.
1		Z Pulse Motor Bracket Assy
2		Snap Ring
3	68001750	BH Switch Assy.
4		Set Screw M2.5*4
5		Z Pulse Motor
6		Set Screw M3*3
7		Pulse Motor Gear
8		Set Screw M3*4
9		Center Gear (A)
10		Center Gear (B)
11		Z Cam
12		BH Plate
13		BH Lever
14		BH Lever Spring
15		Spring pin
16		Pressure Regulator Cam Follower Assy.
17		Washer
18		Snap Ring
19		Pressure Regulator Plate Assy.
20		Snap Ring
21		Pressure Regulator Dial
22		LED Light Cover (E)
23	68011561	LED Board Assy(C)
24		Set Screw M3*5
25		Set Screw M4*8
26		Cord Holder
27		Set Screw M4*8

K



No.	Part No.	Description
#1	68011287	Power Circuit Assy.
#2	68001768	Power Socket Assy.
#3	68001785	Motor Assy.
1	68001767	Fuse
2		Power Socket Circuit
3		Power Switch
4	68001772	Controller Jack Assy.
5		Set Screw M4*8
6		Stud
7	68011562	CPU Board Assy.
8		Coating Clip
9		Set Screw M4*8
10		Motor
11		DC Motor Harnes Assy.
12		Motor Bracket
13		Rubber Cushion
14		Motor Collar
15		Motor Pulley
16		Snap Ring
17		Motor Fan
18		Set Screw M4*4
19		Set Screw M4*10
20		Set Screw M5*10



No.	Part No.	Description
#1		Accessory Kit
#2	68001835	Dust Cover Unit
1	620098796	Needle Set
2	68001389	Bobbin
3	68001808	Screw Driver for Needle Plate
4	413060501	Fancy Stitch Foot 2A
5	820256096	Blindhem Foot 3
6	820248096	Zipper Foot 4
7	413059801	Fancy Stitch Foot 1A
8	413105601	Multi-Purpose Tool
9	68002863	One Step BH Foot 5
10	68001820	Auxiliary Spool Pin
11	68001821	Small Thread Cap
12	412610701	Felt
13	68001559	Thread Cap
14	68001822	Stitch Ripper
15	68001823	Screw Driver
16	68001824	Brush
17	68001825	Edge Guide
18	68001826	Spool Net
19		Instruction Manual (USA, CND)
20		Warranty Card (USA)
21	412157903	Power Cord (USA, CND)
	412157801	Net Cable 220V (EU)
	412158002	Net Cable (GB)
22	68001834	Controller

